



Treasure Chest Project

Name.....

Materials Technology Wood

Mr. Leacy

Name.....

Design Brief

“People often have a collection of items which are of value to them, their own 'treasure'. Often these items are kept in containers such as shoe boxes and biscuit tins which do not reflect the importance of the items to the person”

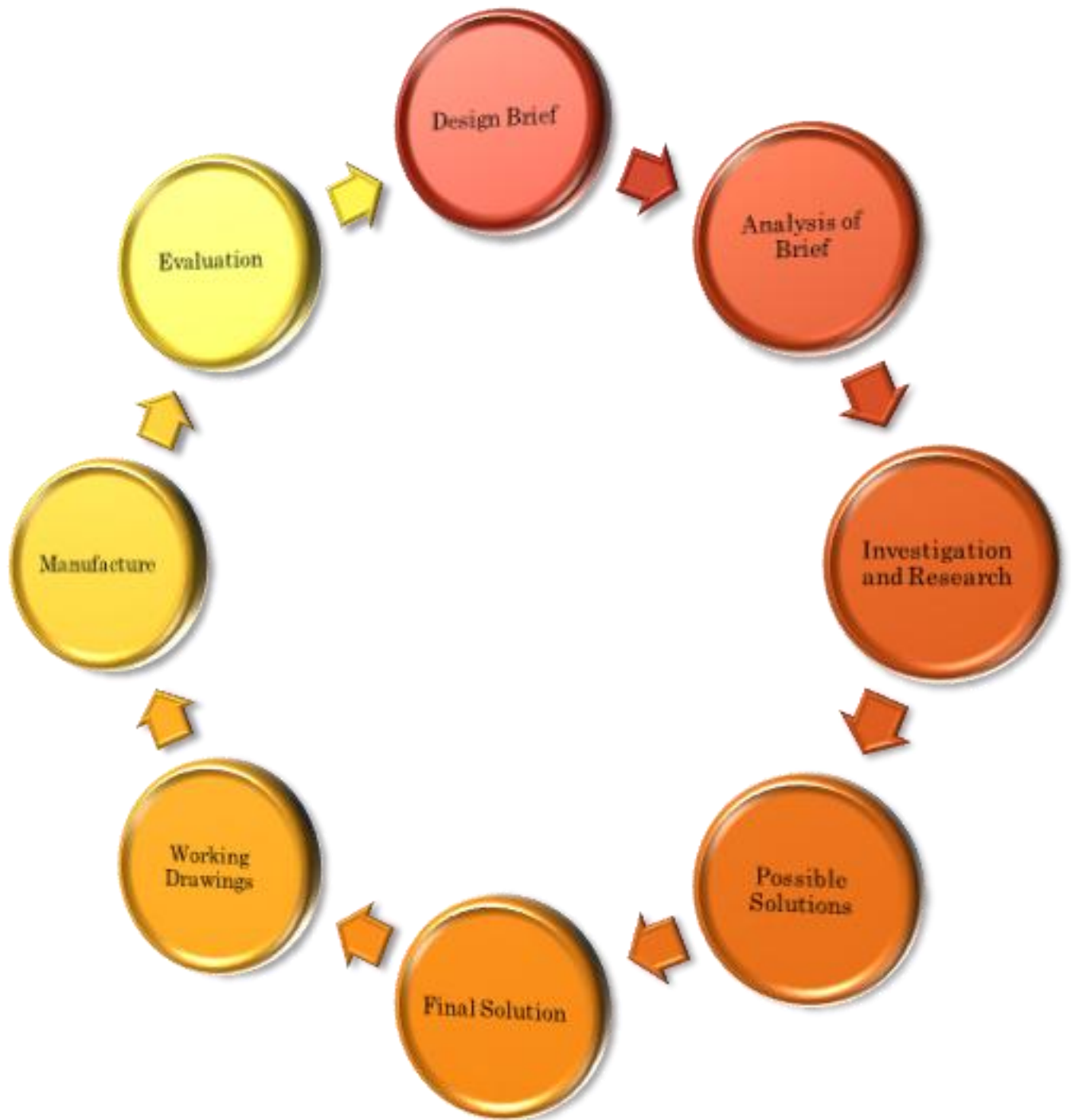
Design and make a container suitable to hold such items of importance. The container should have a closed top, be decorative and include some form of embellishment/ornamentation. The finished design must:

1. Include box dovetail joints
2. Have decoration that reflects what is to be kept in the chest
3. Base may not exceed 220mm x 220mm
4. Depth of box must not exceed 70mm
5. Marquetry must be used



Name.....

The Design Process



Analysis of Brief

Name.....

Project Brief

"People often have a collection of items which are of value to them, their own 'treasure'. Often these items are kept in containers such as shoe boxes and biscuit tins which do not reflect the importance of the items to the person"

Design and make a container suitable to hold such items of importance. The container should have a closed top, be decorative and include some form of embellishment/ornamentation. The finished design must:

1. Include box dovetail joints
2. Have decoration that reflects what is to be kept in the chest
3. Base may not exceed 220mm x 220mm
4. Depth of box must not exceed 70mm
5. Marquetry must be used

Analysis of the Brief

Key Words/Phrases:

1. Word/Phrase: _____

Meaning: _____

2. Word/Phrase: _____

Meaning: _____

3. Word/Phrase: _____

Meaning: _____

4. Word/Phrase: _____

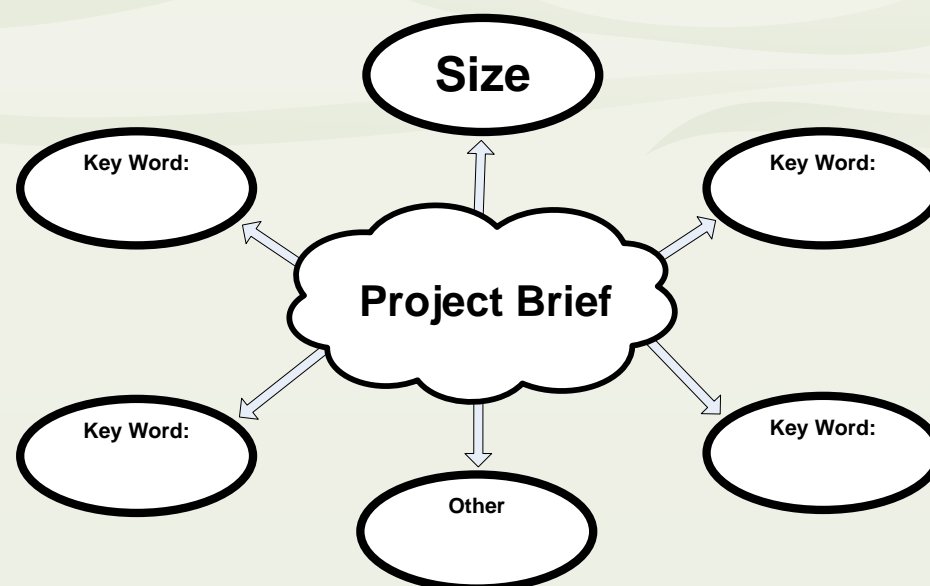
Meaning: _____

Treasure Chest Project



Analysis

Brainstorming (Spider Diagram)



Investigation And Research

Name.....



Investigation

Measure what your treasure is!



Decoration Investigation

Notes

Initial Idea

I've got it!

Initial Idea

Friend 1 View

Reflection On Views

Show your idea to 3 other people

Friend 2 View

Friend 3 View



Large empty rounded rectangular box for writing the initial idea.

Light blue rectangular box for Friend 1's view.

Light blue rectangular box for Friend 2's view.

Light blue rectangular box for Friend 3's view.

Large rectangular box with a decorative border of small circles, representing a reflection on the views.

Final Solution

Name.....

Final Solution

[Large empty rounded rectangular box for the final solution]

Must answer all questions.

Materials and Why?



[Dotted lines for writing answer to Materials and Why?]

Finish and Why?



Person:

[Dotted lines for writing answer to Finish and Why?]

Size and Why?



[Dotted lines for writing answer to Size and Why?]

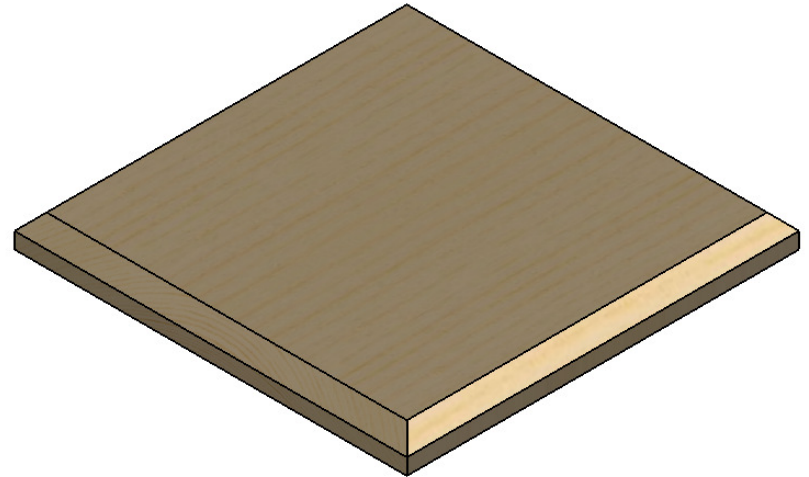
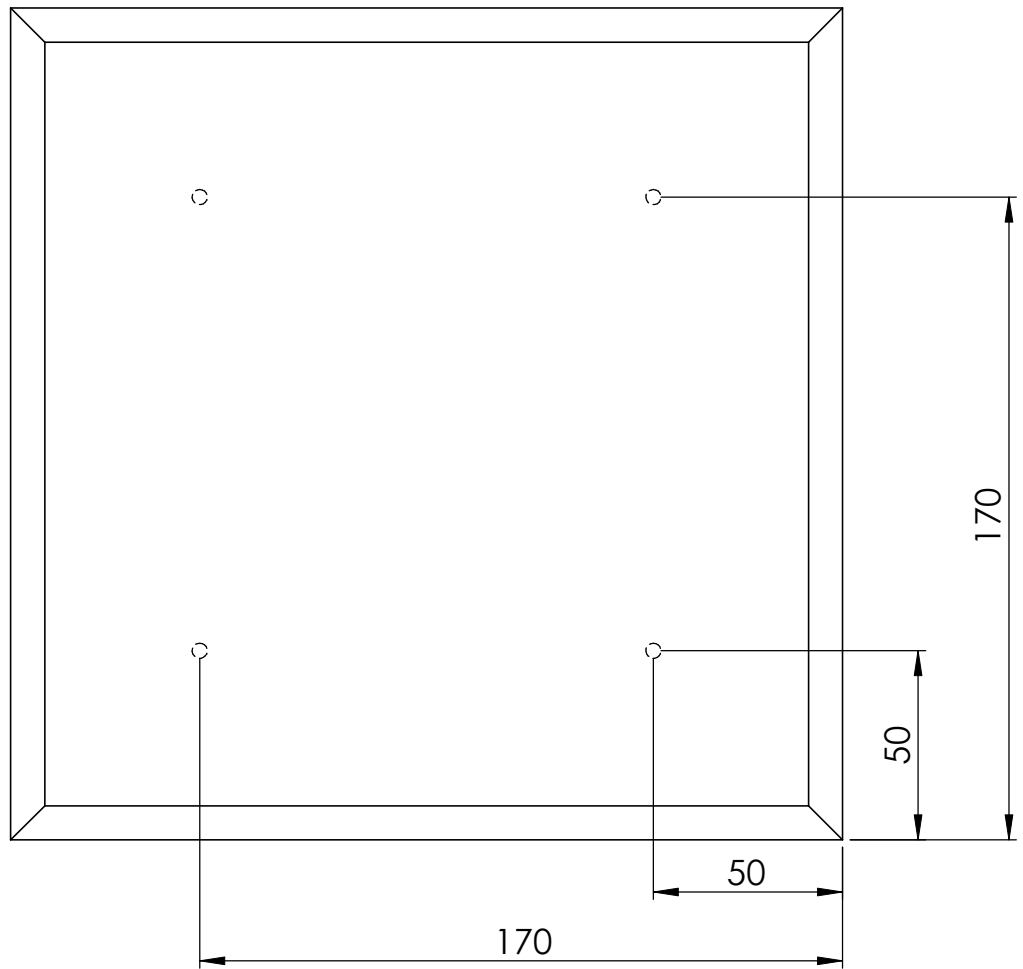
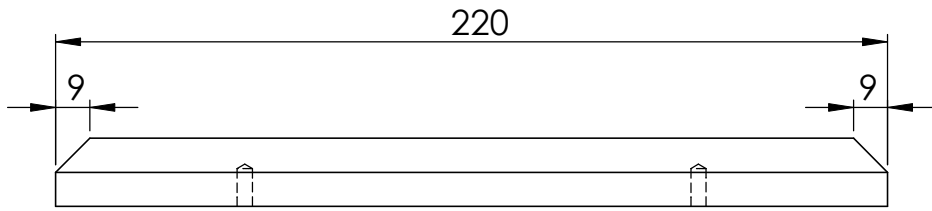
Joints and Why?



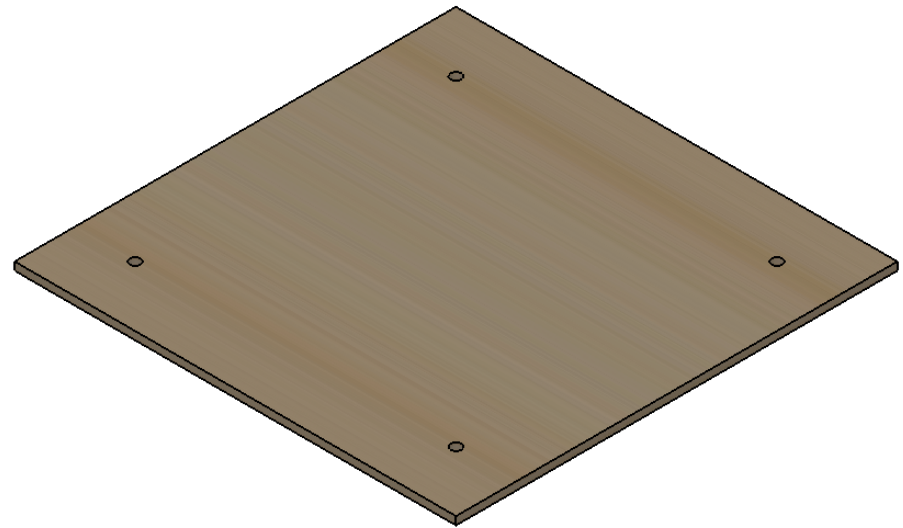
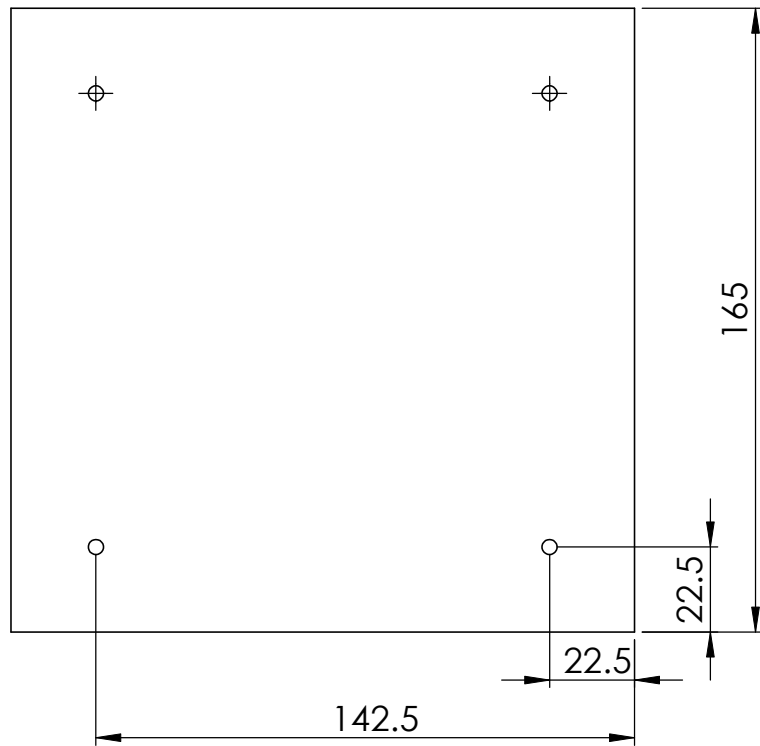
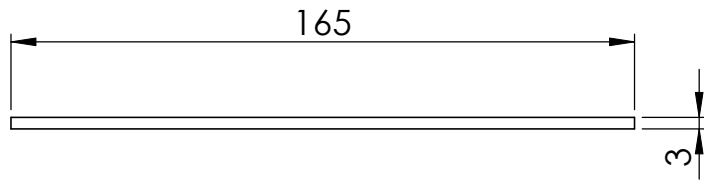
[Dotted lines for writing answer to Joints and Why?]

Working Drawings

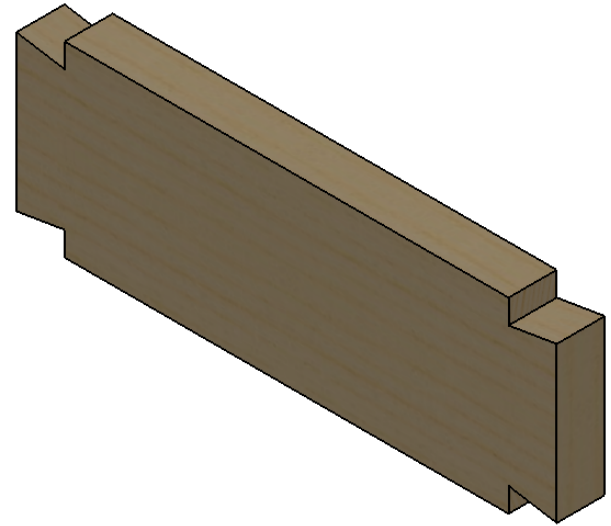
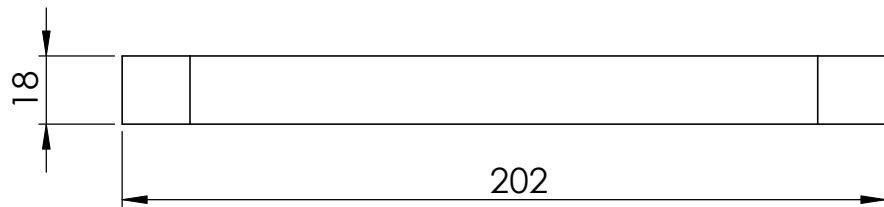
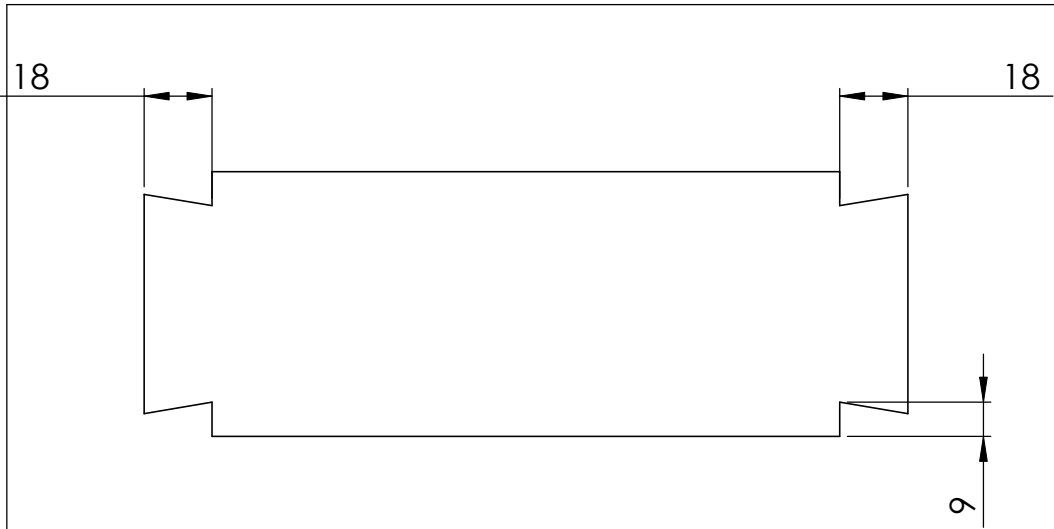
Name.....



FCJ BUNCLODY	
MR LEACY	Treasure Chest
2nd YEAR	Lid
Materials Technology (Wood)	

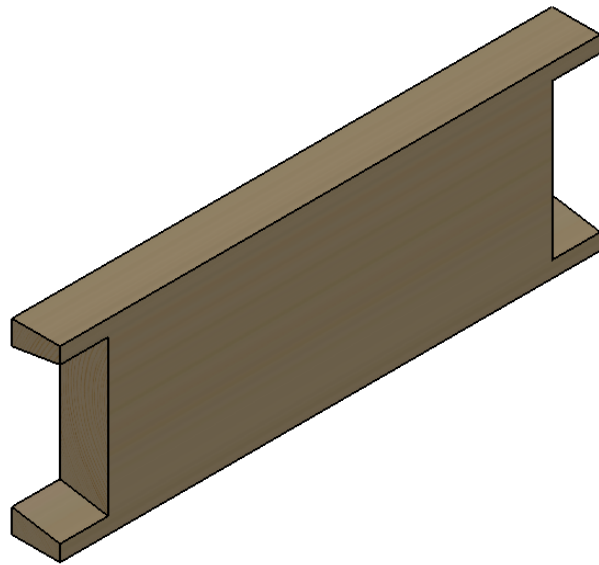
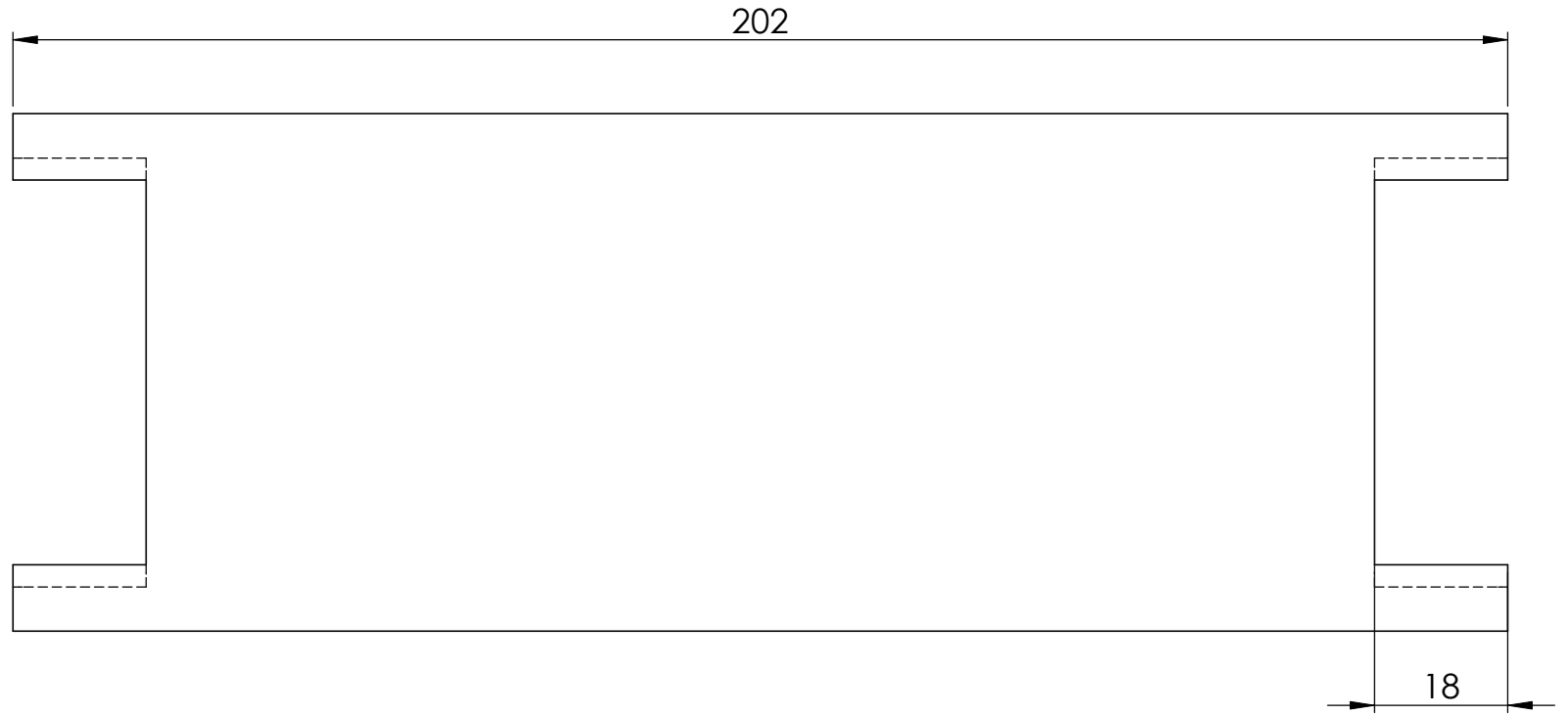
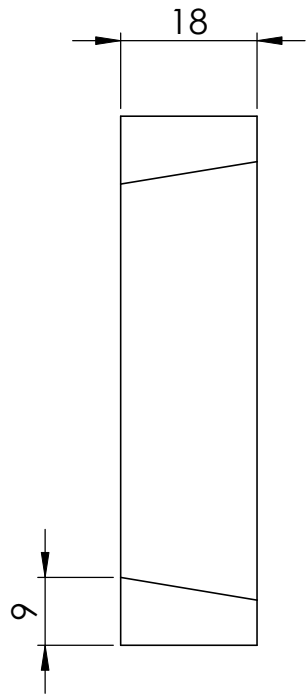


FCJ BUNCLODY	
MR LEACY	Lid
2nd YEAR	Insert
Materials Technology (Wood)	

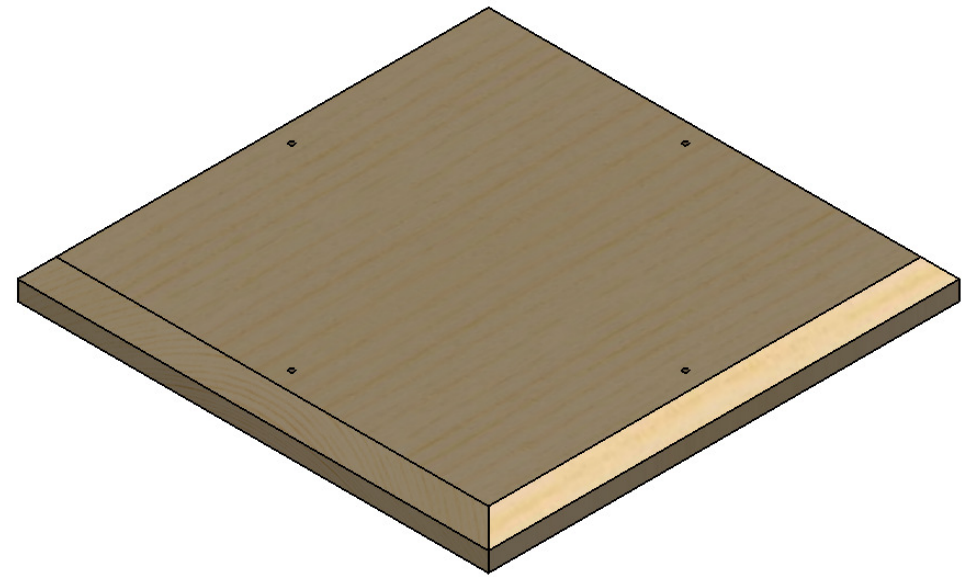
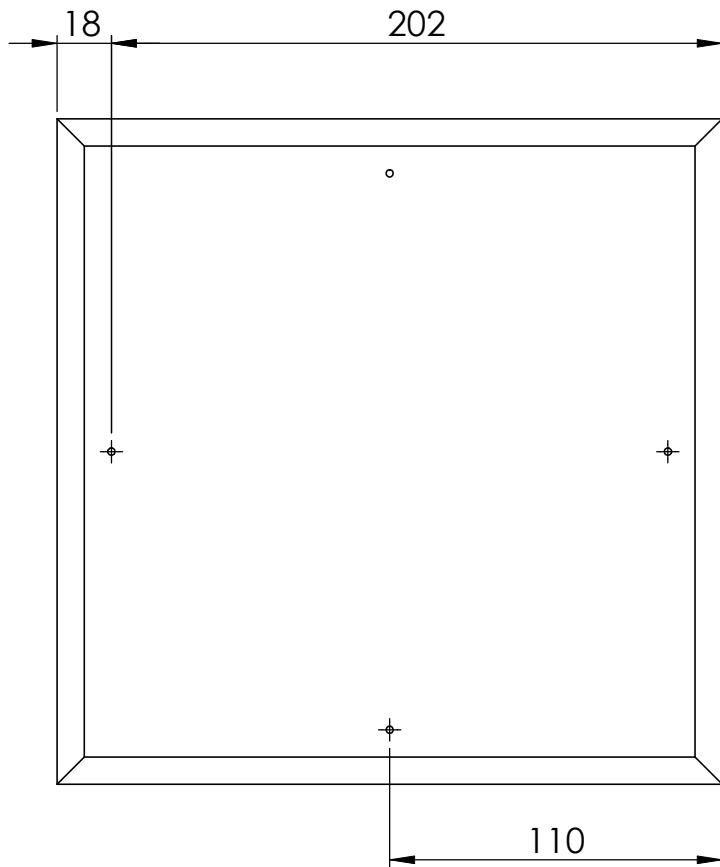
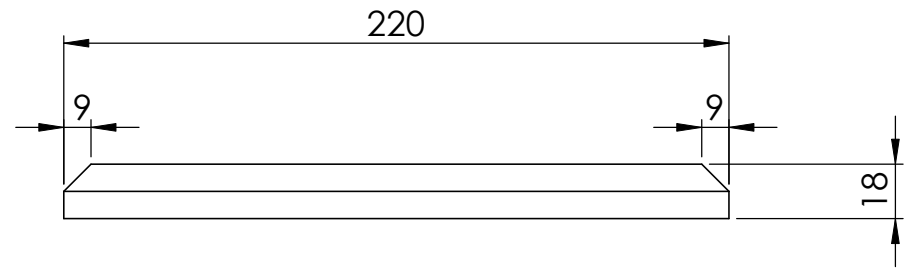
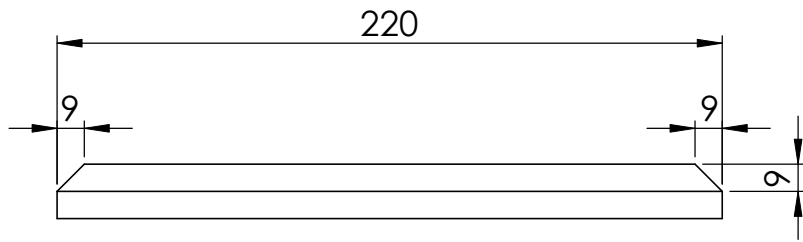


Dovetail Slope
1:6

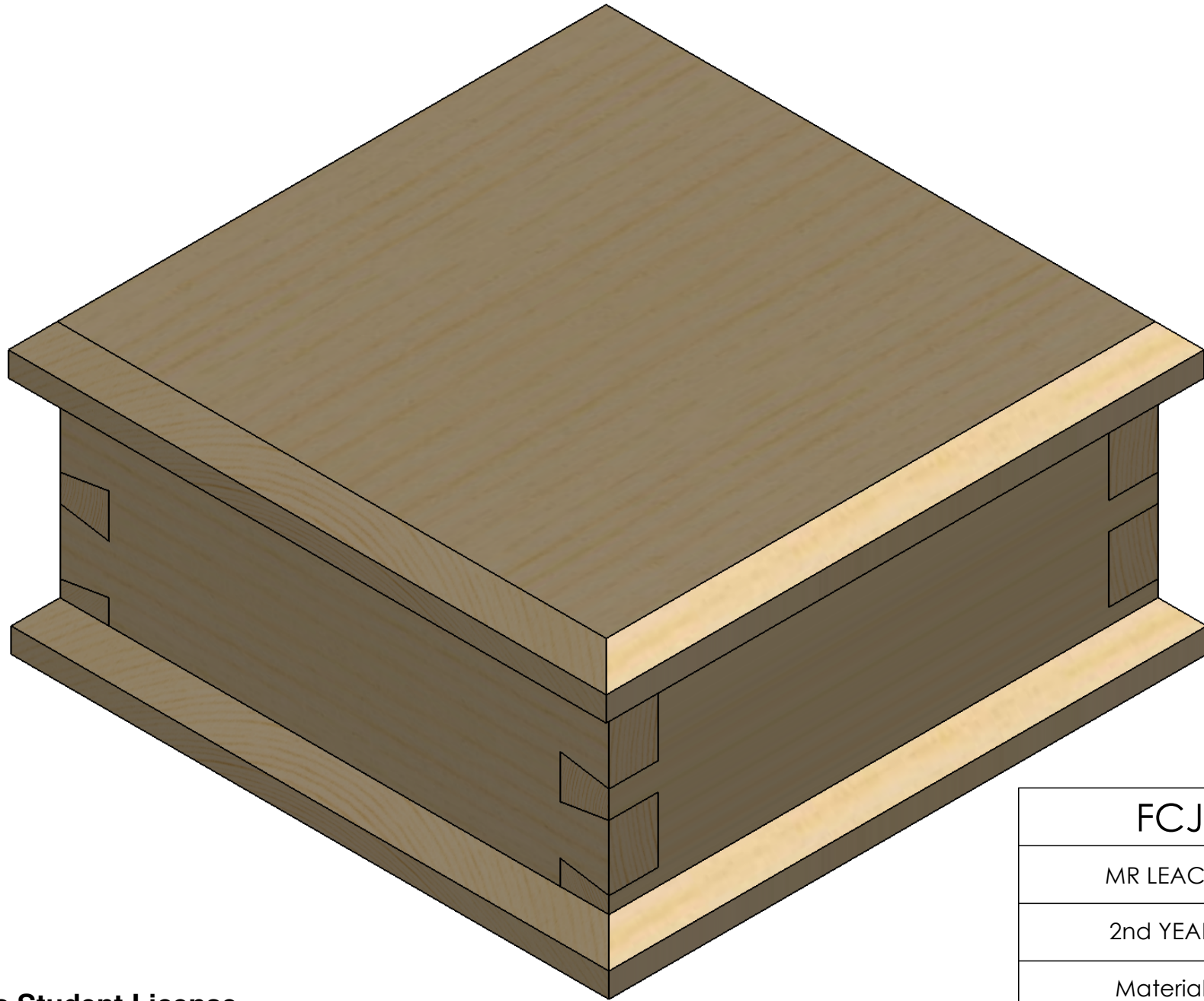
FCJ BUNCLODY	
MR LEACY	Dovetail Sides
2nd YEAR	
Materials Technology (Wood)	



FCJ BUNCLODY	
MR LEACY	Pins Sides
2nd YEAR	
Materials Technology (Wood)	



FCJ BUNCLODY	
MR LEACY	Base
2nd YEAR	
Materials Technology (Wood)	



FCJ BUNCLODY

MR LEACY

Assembly

2nd YEAR

Materials Technology (Wood)

Manufacture

Name.....

WEEK 1

(WRITE AND SKETCH WHAT YOU DID THIS WEEK)

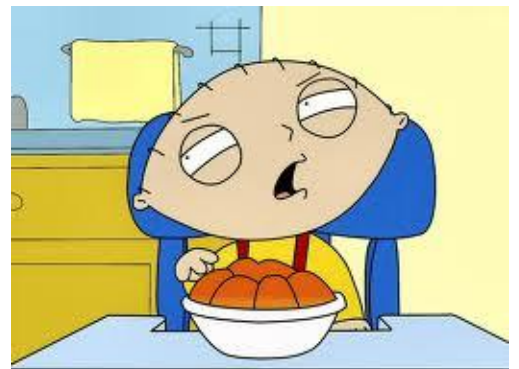
Name.....



WEEK 2

(WRITE AND SKETCH WHAT YOU DID THIS WEEK)

Name.....



WEEK 3

(WRITE AND SKETCH WHAT YOU DID THIS WEEK)

Name.....



WEEK 4

(WRITE AND SKETCH WHAT YOU DID THIS WEEK)

Name.....



WEEK 5

(WRITE AND SKETCH WHAT YOU DID THIS WEEK)

Name.....

Evaluation

Name.....

Evaluation

What are you happy with? Why?

.....
.....
.....
.....
.....
.....
.....

What was your biggest challenge? Why?

.....
.....
.....
.....
.....
.....

If you were to do it all again what would you do differently? Why?

.....
.....
.....
.....
.....
.....

Overall are you happy with how your project turned out? Why?

.....
.....
.....
.....
.....
.....

What are you disappointed with? Why?

.....
.....
.....
.....
.....
.....
.....

Did you enjoy making this project? Why?

.....
.....
.....
.....
.....
.....

What stage did you feel was the easiest? Why?

.....
.....
.....
.....
.....
.....